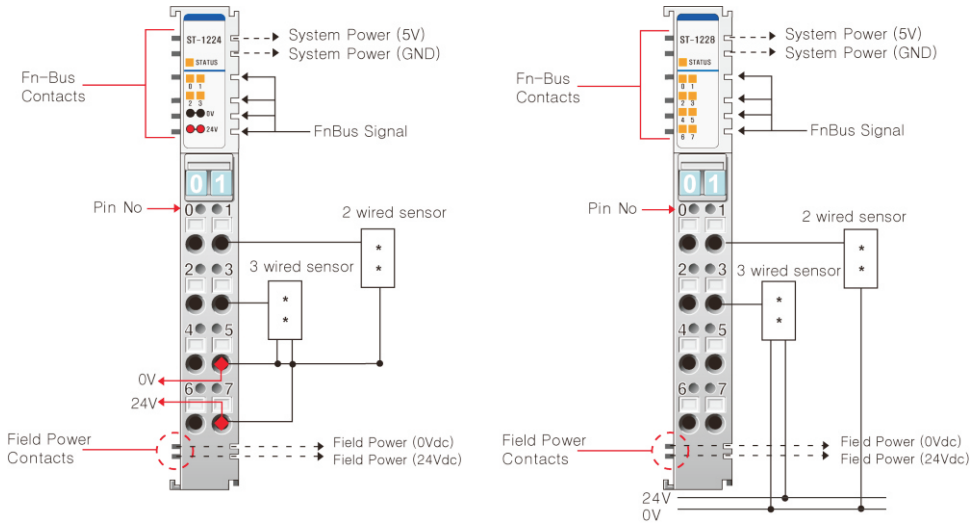


ST-1224, ST-1228

12V/24Vdc, 4/8 Points, Source(Negative), Terminal



Item	ST-1224	ST-1228
Input Specification		
Inputs Per Module	4 Points Source Type(Negative Logic)	8 Points Source Type(Negative Logic)
Indicators	4 Green Input States, 1 Green/Red Fn-Bus State	8 Green Input States, 1 Green/Red Fn-Bus State
ON-state Voltage	24Vdc nominal	24Vdc nominal
Min. OFF-state Voltage	Min. 10.2Vdc ~ Max. 28.8Vdc	
ON-state Current	Max. 6mA / Point @28.8Vdc	
Input Signal Delay	OFF to ON : Max. 3ms / ON to OFF : Max. 3ms	
Nominal Input Impedance	Typ. 5.1KΩ	
Filtering Time	-	Typ. 1.5ms
Common Type	4 Points / 2COM (Single Common)	External Common
General Specification		
Power Dissipation	Max. 35mA @ 5.0Vdc	
Isolation	I/O to Logic : Photocoupler Isolation	
Field Power	Supply Voltage : 24Vdc nominal Voltage Range : 11~28.8Vdc	
Wiring	I/O Cable Max. 2.0mm(AWG 14)	
Weight	70g	
Module Size	12mm x 99mm x 70mm	
Environment Condition	Refer to " Environment Specification"(page : 1-191)	
Pin No.	Description	Description
0	Input Channel 0	Input Channel 0
1	Input Channel 1	Input Channel 1
2	Input Channel 2	Input Channel 2
3	Input Channel 3	Input Channel 3
4	Field Ground (0V)	Input Channel 4
5	Field Ground (0V)	Input Channel 5
6	Field Power (+24Vdc)	Input Channel 6
7	Field Power (+24Vdc)	Input Channel 7
8	-	-
9	-	-
10	-	-
11	-	-
12	-	-
13	-	-
14	-	-
15	-	-
16	-	-
17	-	-
18	-	-
19	-	-
-	-	-