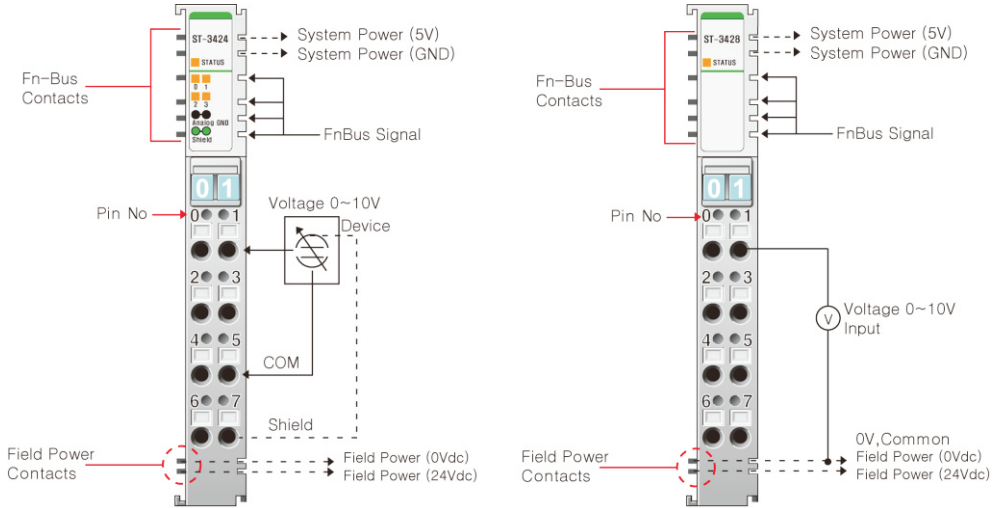


ST-3424, ST-3428

0~10Vdc, 4/8 Channels, Voltage, 12bit



Item	ST-3424	ST-3428
Input Specification		
Number of Inputs	4 Channels Single Ended, Non-isolated Between Channels	8 Channels Single Ended
Indicators	4 Green/Red States, 1 Green/Red Fn-Bus State	1 Green/Red Fn-Bus State
Resolution in Ranges	12Bits : 2.44mV/Bit	
Input Voltage Range	0~10Vdc	
Data Format	16bits Integer (2's compliment)	
Module Error	±0.1% Full Scale @25℃ ±0.3% Full Scale @0℃, 60℃	
Input Impedance	500KΩ	
Conversion Time	4msec/All channel	
Calibration	Not Required	
Diagnostic	No	No
Common Type	4 Channels / 2COM (Single Common)	Nothing in the module terminal Field Power 0V is Common(AGND)
General Specification		
Power Supply	From System Power DC/DC	-
Power Dissipation	Max. 165mA@5.0Vdc	Max. 80mA@5.0Vdc
Isolation	I/O to Logic : Photocoupler Isolation Field power : Not Connected	I/O to Logic : Photocoupler Isolation I/O to Logic : Non-Isolation
Field Power	- - -	Supply Voltage : 24Vdc nominal Voltage Range : 18~28.8Vdc Power Dissipation : Max. 40mA@24Vdc
Wiring	I/O Cable Max. 2.0m	
Weight	70g	
Module Size	12mm x 99mm x 70mm	
Environment Condition	Refer to " Environment Specification"(page : 1-191)	
Pin No.	Description	Description
0	Input Channel 0	Input Channel 0
1	Input Channel 1	Input Channel 1
2	Input Channel 2	Input Channel 2
3	Input channel 3	Input Channel 3
4	Input Channel Common (0V)	Input Channel 4
5	Input Channel Common (0V)	Input Channel 5
6	Chassis Ground / Shield	Input Channel 6
7	Chassis Ground / Shield	Input Channel 7
-	-	-
-	-	-
-	-	-
-	-	-
-	-	-
-	-	-
-	-	-