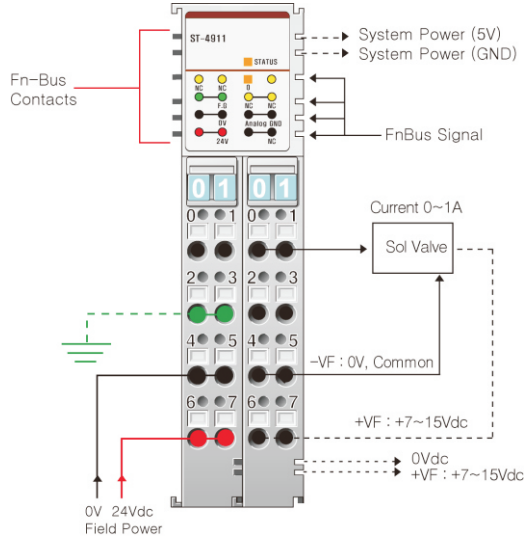


ST-4911

0~1A, 1 Channel, Current, 12bit



Item		ST-4911
Output Specification		
Output Per Module	1 Channel Single Ended, Non-isolated	
Indicators	1 Green Fn-Bus State, 1 Green/Red Output Channel State	
Resolution in Ranges	12Bits : 2.44mV/Bit	
Output Current Range	0~1A	
Data Format	16bits Integer (2' compliment)	
Module Error	±0.1% Full Scale @25°C ±0.3% Full Scale @-20°C, 60°C	
Load Resistance	13Ω, ±5%	
Conversion Time	1msec/All channel	
Calibration	Not Required	
Diagnostic	No	
Common Type	1 Channel / 2 Common(Field Power 0V)	
General Specification		
Power Dissipation	Max. 60mA@5.0Vdc	
Isolation	I/O to Logic : Photocoupler Isolation I/O to Field Power : Non-Isolation	
Field Power	Supply Voltage : 24Vdc nominal Voltage Range : 15~28Vdc Power Dissipation : Max.60mA@24Vdc	
Wiring	I/O Cable Max. 2.0m (AWG#14)	
Weight	140g	
Module Size	24mm x 99mm x 70mm	
Environment Condition	Refer to " Environment Specification"(page : 1-191)	
Pin No.	Description	
	Signal for Left Terminal	Signal for Right Terminal
0	No Connector	Output Channel 0
1	No Connector	Output Channel 0
2	FG	No Connector
3	FG	No Connector
4	Field Power (0V), Common	0V, Common
5	Field Power (0V), Common	0V, Common
6	Field Power (+24V)	+7~15V
7	Field Power (+24V)	+7~15V
-	-	-
-	-	-
-	-	-
-	-	-
-	-	-
-	-	-
-	-	-
-	-	-
-	-	-