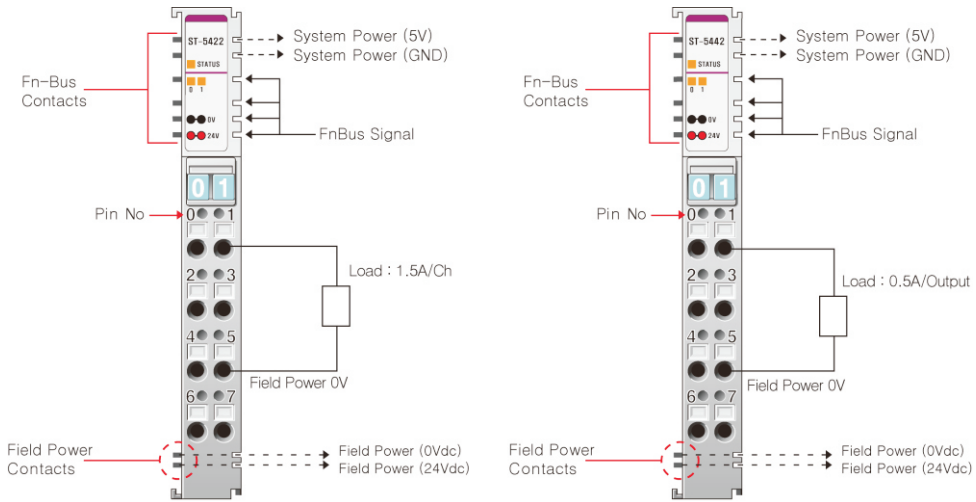


# ST-5422, ST-5442

## PWM, 2 Channels Output, 1.5A/24Vdc, Source (ST-5422) 0.5A/24Vdc, Source (ST-5442)



Item	ST-5422	ST-5442
<b>Output Specification</b>		
Number of Outputs	2 Channels, Source Type	
Indicators	1 Green/Red Fn-Bus Status 2 Channel LEDs	
Output Current	1.5A/Ch, 3A/All Channel, Short protection	0.5A/Ch, 2A/All Channel, Short protection
Output Inrush Current	Max. 2A, 100ms / Ch	Max. 1.5A, 100ms / Ch
PWM Frequency	1 ~ 2500Hz± 0.5%	
PWM Duty	0.0 ~ 100.0%± 1.0% (0.1% / 1LSB), Ton>5us, Toff>5us	
Diagnostic	Short Protection	
Common Type	2 Common	
<b>General Specification</b>		
Power Dissipation	Max. 150mA @5.0Vdc	
Isolation	I/O to Logic : Photocoupler Isolation I/O to Field Power : Non-Isolation	
Field Power	Supply Voltage : 24 Vdc nominal Voltage Range : 18 ~ 28.8Vdc Power Dissipation : Max. 50mA @ 24Vdc except Load	
Wiring	I/O Cable Max. 2.0mℓ (AWG#14)	
Weight	70g	
Module Size	12mm x 99mm x 70mm	
Environment Condition	Refer to " Environment Specification"(page : 1-191)	
Pin No.	Description	Description
0	PWM Output Channel#0	PWM Output Channel#0
1	PWM Output Channel#1	PWM Output Channel#1
2	-	-
3	-	-
4	Field Power 0V, Common	Field Power 0V, Common
5	Field Power 0V, Common	Field Power 0V, Common
6	Field Power 24V	Field Power 24V
7	Field Power 24V	Field Power 24V
-	-	-
-	-	-
-	-	-
-	-	-
-	-	-
-	-	-
-	-	-
-	-	-
-	-	-
-	-	-
-	-	-
-	-	-
-	-	-
-	-	-
-	-	-