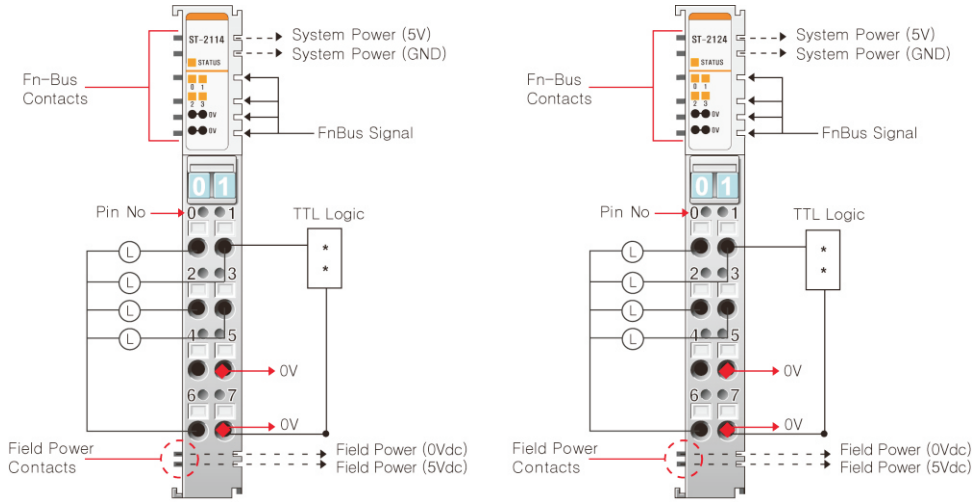


# ST-2114, ST-2124

5Vdc/20mA, 4 Points, TTL Inverting, Terminal



Item	ST-2114	ST-2124
Output Specification		
Outputs Per Module	4 Points TTL Inverting Output (Default : 5V)	4 Points Non-TTL Inverting Output (Default : 0V)
Indicators	4 Green Output States, 1 Green/Red Fn-Bus State	
Output Voltage Range	5Vdc nominal, Min. 4.5Vdc ~ Max. 5.5Vdc	
Operating Frequency	DC to 50Khz	
High-Level Output Voltage	Min. 4.8Vdc@5Vdc, 5mA	
Low-Level Output Voltage	Max. 0.3Vdc@0Vdc, 5mA	
Output Signal Delay	OFF to ON : Max. 0.3ms ON to OFF : Max. 0.3ms	
Output Current Rating	Max. 20mA Per Channel Max. 80mA All Common	
Protection	Output Short-Circuit Protection Field Power Over Voltage Protection (about 6.7Vdc) Field Power Reverse Voltage Protection	Output Short-Circuit Protection Field Power Over Voltage Protection (about 6Vdc) Field Power Reverse Voltage Protection
Surge Current	40mA For 10ms, Repeatable Every 1 Sec	
Fuse	Non	
Common Type	4 Points / 4 COM (Single Common)	
General Specification		
Power Dissipation	Max. 50mA @5.0Vdc	
Isolation	I/O to Logic : Photocoupler Isolation	
Field Power	Supply Voltage : 5Vdc nominal Voltage Range : 4.5 ~ 5.5Vdc	
Wiring	I/O Cable Max. 2.0mm(AWG 14)	Power Dissipation : Max. 70mA@5Vdc
Weight	70g	
Module Size	12mm x 99mm x 70mm	
Environment Condition	Refer to " Environment Specification"(page : 1-191)	
Pin No.	Description	Description
0	Output Channel 0	Output Channel 0
1	Output Channel 1	Output Channel 1
2	Output Channel 2	Output Channel 2
3	Output Channel 3	Output Channel 3
4	Field Ground (0V)	Field Ground (0V)
5	Field Ground (0V)	Field Ground (0V)
6	Field Ground (0V)	Field Ground (0V)
7	Field Ground (0V)	Field Ground (0V)
-	-	-
-	-	-
-	-	-
-	-	-
-	-	-
-	-	-
-	-	-