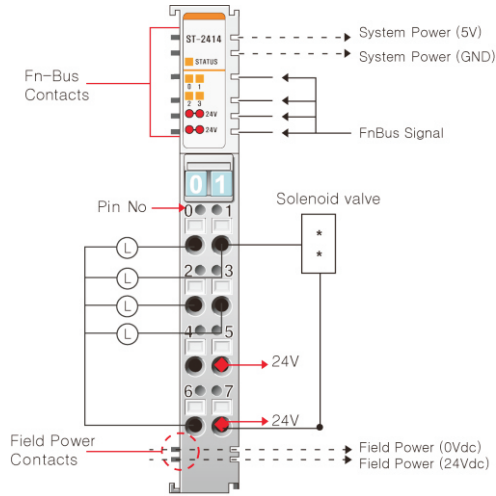


# ST-2414(Diagnostics)

24Vdc/0.5A, 4 Points, Sink(Negative), Terminal, Diagnostics



FnIO S-Series Digital Output

Item		ST-2414
<b>Output Specification</b>		
Outputs Per Module	4 Points Sink type(Negative Logic)	
Indicators	4 Green Output States, 1 Green/Red Fn-Bus State	
Output Voltage Range	24Vdc nominal, Min. 11Vdc ~ Max. 28.8Vdc	
ON-State Voltage Drop	Max. 0.3Vdc@25°C	
ON-State Min. Current	1mA Per Channel	
OFF-State Leakage Current	Max. 50uA	
Output Signal Delay	OFF to ON : Max. 0.3ms ON to OFF : Max. 0.3ms	
Output Current Rating	Max. 0.5A Per Channel Max. 2.0A All Common	
Output Protection (VNS3NV04D-E)	Over Temperature Shut Down : Min. 150°C Over Current Limit : Min. 3.5A/Max. 7A Per Channel Short Circuit Protection ESD Protection : 16.5Kv	
Common Type	4 Points / 4 COM (Single Common)	
<b>General Specification</b>		
Power Dissipation	Max. 45mA @5.0Vdc	
Isolation	I/O to Logic : Photocoupler Isolation	
Field Power	Supply Voltage : 24Vdc nominal Voltage Range : 11~28.8 Vdc Power Dissipation : 5mA@28.8Vdc / Channel	
Wiring	I/O Cable Max. 2.0mm(AWG 14)	
Weight	70g	
Module Size	12mm x 99mm x 70mm	
Environment Condition	Refer to " Environment Specification"(page : 1-191)	
Pin No.	Description	
0	Output Channel 0	
1	Output Channel 1	
2	Output Channel 2	
3	Output Channel 3	
4	Field Power (+24Vdc)	
5	Field Power (+24Vdc)	
6	Field Power (+24Vdc)	
7	Field Power (+24Vdc)	
-	-	
-	-	
-	-	
-	-	
-	-	
-	-	
-	-	
-	-	
-	-	
-	-	