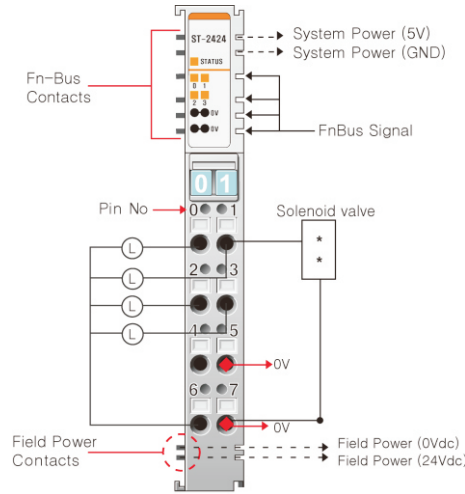


ST-2424(Diagnostics)

24Vdc/0.5A, 4 Points, Source(Positive), Terminal, Diagnostics



Item		ST-2424
Output Specification		
Outputs Per Module		4 Points Source type(Positive Logic)
Indicators		4 Green Output States, 1 Green/Red Fn-Bus State
Output Voltage Range		24Vdc nominal, Min. 11Vdc ~ Max. 28.8Vdc
ON-State Voltage Drop		Max. 0.3Vdc@25°C
ON-State Min. Current		1mA Per Channel
OFF-State Leakage Current		Max. 50uA
Output Signal Delay		OFF to ON : Max. 0.3ms ON to OFF : Max. 0.3ms
Output Current Rating		Max. 0.5A Per Channel Max. 2.0A All Common
Output Protection (VNS3NV04D-E)		Over Temperature Shut Down : Min. 150°C Over Current Limit : Min. 3.5A/Max. 7.5A Per Channel Short Circuit Protection ESD Protection : 5Kv
Common Type		4 Points / 4 COM (Single Common)
General Specification		
Power Dissipation		Max. 45mA @5.0Vdc
Isolation		I/O to Logic : Photocoupler Isolation
Field Power		Supply Voltage : 24Vdc nominal Voltage Range : 11~28.8 Vdc Power Dissipation : 5mA@28.8Vdc / Channel
Wiring		I/O Cable Max. 2.0mm(AWG 14)
Weight		70g
Module Size		12mm x 99mm x 70mm
Environment Condition		Refer to " Environment Specification"(page : 1-191)
Pin No.		Description
0		Output Channel 0
1		Output Channel 1
2		Output Channel 2
3		Output Channel 3
4		Field Power (0V)
5		Field Power (0V)
6		Field Power (0V)
7		Field Power (0V)
-		-
-		-
-		-
-		-
-		-
-		-
-		-
-		-